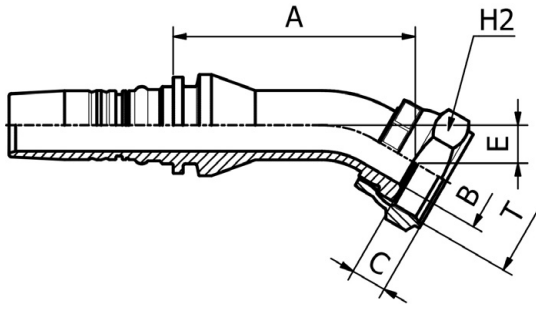


SAE STANDARD CONNECTIONS



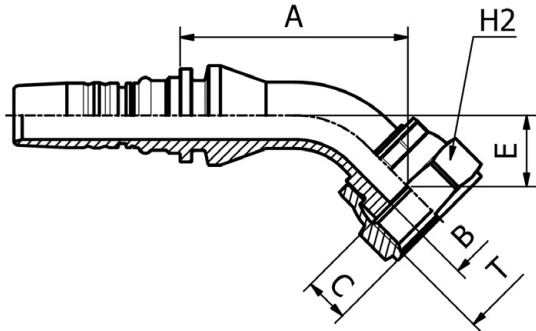
M42431

**30° ORFS
FEMALE SWEPT ELBOW
SAE J516 / ISO 12151-1
(CRIMPED BACK-NUT)**

PART. REF.	HOSE BORE			Thread	DIMENSIONS mm						
	DN	Dash	inch		T	B	A	C	E	H2	
M42431-16-16	25	- 16	1"	1.7/16", 25.4 MM, 1"	19.5	91.0	10.3	14.0	41.0		

FITTINGS 184

SAE STANDARD CONNECTIONS

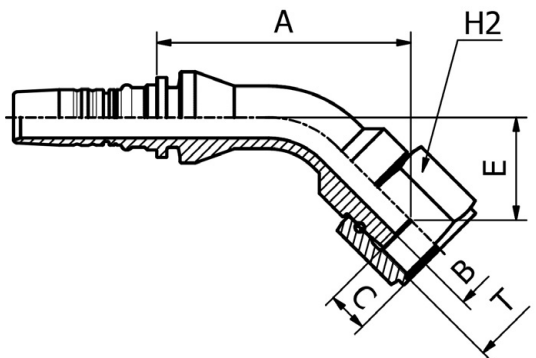


M42441

**45° ORFS
FEMALE SWEPT ELBOW
SAE J516 / ISO 12151-1
(CRIMPED BACK-NUT)**

PART. REF.	HOSE BORE			Thread	DIMENSIONS mm						
	DN	Dash	inch		T	B	A	C	E	H2	
M42441-10-12	16	- 10	5/8"	1.3/16" - 12	14.3	56.0	13.5	21.5	36.0		
M42441-12-12	19	- 12	3/4"	1.3/16" - 12	14.5	69.0	13.5	21.5	36.0		
M42441-12-16	19	- 12	3/4"	1.7/16" - 12	19.0	77.5	13.5	25.0	41.0		
M42441-16-16	25	- 16	1"	1.7/16" - 12	19.5	86.0	13.5	24.0	41.0		
M42441-20-20	31	- 20	1.1/4"	1.11/16" - 12	25.0	97.0	13.6	27.0	50.0		
M42441-24-24	38	- 24	1.1/2"	2" - 12	31.0	112.0	14.2	31.5	60.0		

SAE STANDARD CONNECTIONS



M42442

**45° ORFS
FEMALE SWEPT ELBOW
SAE J516 / ISO 12151-1
HEAVY TYPE (THRUST-WIRE NUT)**

PART. REF.	HOSE BORE			Thread	DIMENSIONS mm						
	DN	Dash	inch		T	B	A	C	E	H2	
M42442-12-12	19	- 12	3/4"	1.3/16" - 12	14.5	89.0	14.0	36.0	36.0		
M42442-16-16	25	- 16	1"	1.7/16" - 12	19.5	100.0	15.0	42.5	46.0		
M42442-20-20	31	- 20	1.1/4"	1.11/16" - 12	25.0	119.5	15.1	49.5	55.0		
M42442-24-24	38	- 24	1.1/2"	2" - 12	31.0	128.5	15.0	52.0	60.0		